



# Eikon TACTIL: Relais electronic switch

**21119**

Eikon TACTIL / Devices / Electronic devices

## Relais electronic switch

Electronic switch with NO 6 A 230 V~ relay output, control with built-in touch sensor or from remote control or peripheral NO push buttons, mono-or bistable mode, visible in darkness, supply voltage 230 V~ 50-60 Hz, to complete with signalling tags and Eikon Tactil cover plate

## Product Status

3 - Active

## Minimum order quantity

1 NR

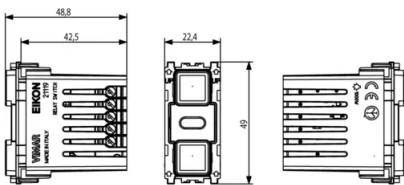
## Sheets, Manuals, Documentation

- [Multilanguage instructions sheet \(1516 kb\)](#)
- [Installation diagrams \(1100 kb\)](#)

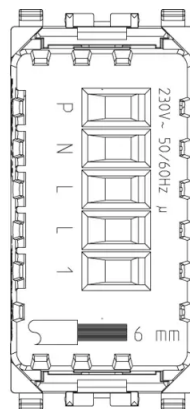
## Video

- [Installing the Eikon Tactil stand-alone](#)

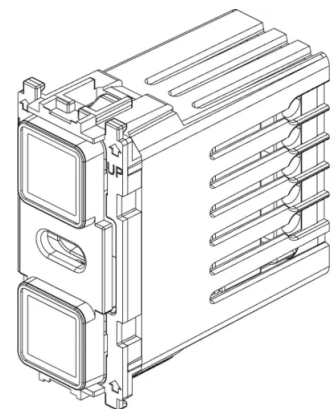
## Drawings



Space view



Backside view



3D View





## Technical data

- **Class group:** Domestic switching devices
- **Class:** Electronic insert for domestic switching devices
- **Model:** Other
- **Assembly arrangement:** Other
- **Number of modules (module system):** 1
- **Radio-controlled:** No
- **Mounting method:** Flush mounted (plaster)
- **Type of fastening:** Engage (snap)
- **Material:** Plastic
- **Material quality:** Thermoplastic
- **Surface finishing:** Matt
- **Colour:** Grey
- **RAL-number (similar):** 7024
- **Transparent:** No

## Certifications

- 00. CE Marking - EU
- 01. IMQ - Italy ([download](#))
- 10. EAC Eurasian Customs Union
- 19. NOM - Mexico
- 37. Marking - Morocco
- 92. RoHS UAE
- 96. Electrotechnical expert ([download](#))
- 99. WEEE Directive ([download](#))

## Packaging



8 0 0 7 3 5 2 4 9 4 2 8 2  
**Code** 8007352494282  
**Quantity** 1 NR  
**Dim.** 5.1x4.3x5.3 [cm]  
**Weight** 52.6 [g]



8 0 0 7 3 5 2 4 9 4 2 9 9  
**Code** 8007352494299  
**Quantity** 10 NR  
**Dim.** 26.9x11.6x4.9 [cm]  
**Weight** 591.4 [g]



8 0 0 7 3 5 2 6 4 7 2 0 6  
**Code** 8007352647206  
**Quantity** 200 NR  
**Dim.** 47.5x27x29 [cm]  
**Weight** 12,340 [g]

## Legal

Vimar reserves the right to change at any time and without notice the characteristics of the products reported. Installation should be carried out by qualified staff in compliance with the current regulations regarding the installation of electrical equipment in the country where the products are installed. For the terms of use of the information on the product info sheet see [Conditions of Use](#).